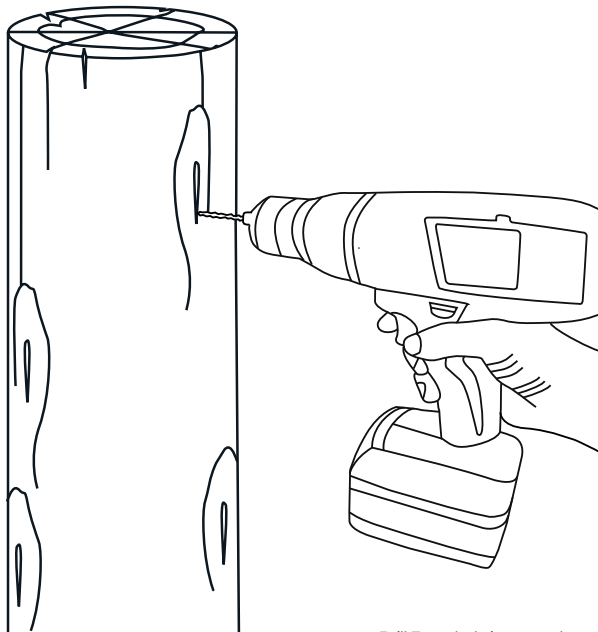


# WOOD POST HOT TIP OUTRIGGER INSTALLATION INSTRUCTIONS

## DRILL A HOLE



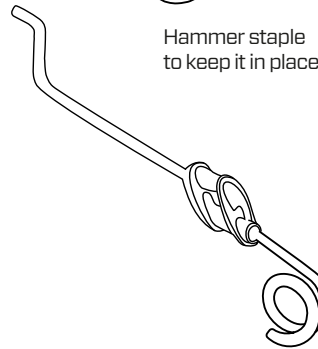
Drill 5mm hole into wood post at desired height

## HAMMER OUTRIGGER AND STAPLE

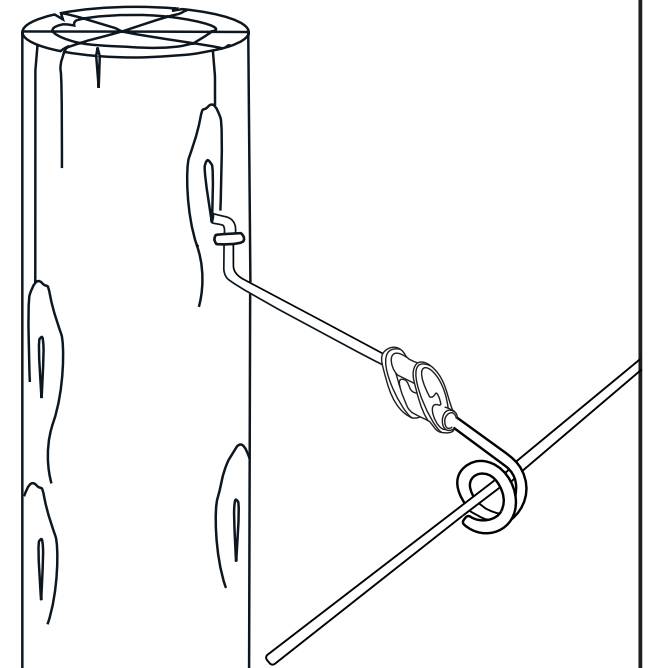
Hammer outrigger into hole



Hammer staple to keep it in place

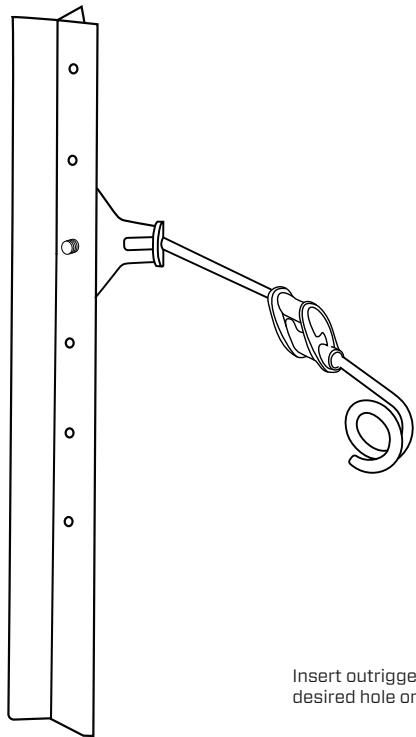


## THREAD WIRE THROUGH THE RING



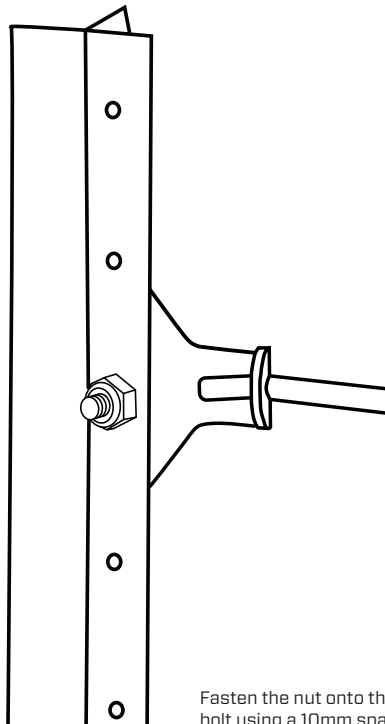
# STEEL POST HOT TIP OUTRIGGER INSTALLATION INSTRUCTIONS

## INSERT OUTRIGGER



Insert outrigger bolt into  
desired hole on steel post

## FASTEN THE NUT



Fasten the nut onto the  
bolt using a 10mm spanner  
or socket wrench

## THREAD WIRE THROUGH THE RING

